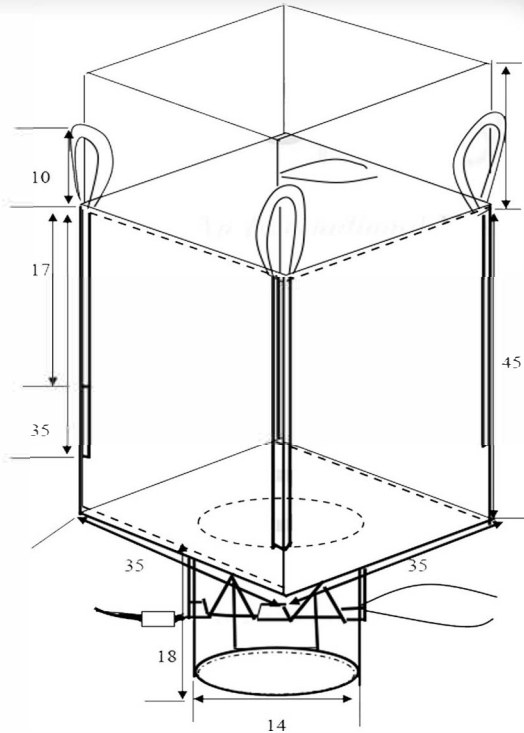


BULK BAGS



FLEXIBLE BULK BAG CONTAINERS

- 5.9 oz. woven coated polypropylene fabric
- Size: 35" x 35" x 45"
- Color: White with blue seaming
- Duffle Top: 1/2" tie
- Spout Bottom: Bonnet Closure 14"x18" with 1/2" tie
- Loops: 2" x 10" Vertically sewn lifting loops
- Rating: 3,000 lb. safe working load
- UV Protected

| BULK BAG SIZE | FABRIC WEIGHT | DESIGN | COLOR | RATING | LIFTING LOOPS | ITEM NO. |
|------------------------------|---|---------------------------|-------|-----------------------------|-----------------------------|-----------|
| 35" x 35" x 45" (U-Panel) | 5.9 oz. Woven coated polypropylene fabric | Duffel Top / Spout Bottom | White | 3,000 lb. Safe Working Load | 4 each 10" Lifting Loops | BB-353545 |



SEAM DETAIL

